

RDM300 construction Codes

To simplify and integrate the new functional implementations of the RDM300 control unit, is updated and introduced a new encoding.

Are available two version for **20A** : "**compact**" & "**large**".

The "**compact**" series are available with the connection for: n. **1** and n. **4** motors.

The "**large**" series are available with the connection for: n. **2** and n. **8** motors.

All the versions are available with **IP20** and **IP55** protection box.

For Mechanical Dimension, see at the attached tables.

Choose & Build the CODE

ZA RDM	a	bb	cc	d	e	f	g	h	i
---------------	----------	-----------	-----------	----------	----------	----------	----------	----------	----------

Position	a	bb	cc	d	e	f	g	h	i
Example	ZARDM	3	12	40	1	0	0	S	0

Position	Description		
a	Supply type	3	Three-phases
bb	Maximum Load at 50°C ambient	08	8A
		12	12A
		20	20A
		28	28A
		30	30A* only IP20
cc	Power supply range	40	400Vac ±20% std.
		48	480Vac ±10% on request
		23	230Vac ±10% on request
		**	Others power supply on request
d	Motors connections	1	1 motor std. compact box (for 8A, 12A, 20A)
		2	2 motors std. large box (for 20A, 28A, 30A)
		4	4 motors kompact box (for 8A, 12A, 20A/) on request
		8	8 motors large box (for 20A/, 28A, 30A) on request
e	Not used	0	-
f	Not used	0	-
g	Protection box	S	IP 55 low-bottom std.
		A	IP 55 high-bottom on request
		G	IP 20 on request
		P	IP 00 on request
h	Client special request code	0	Selpro standard
		x	Client code
i	Revision code	0	Product update index

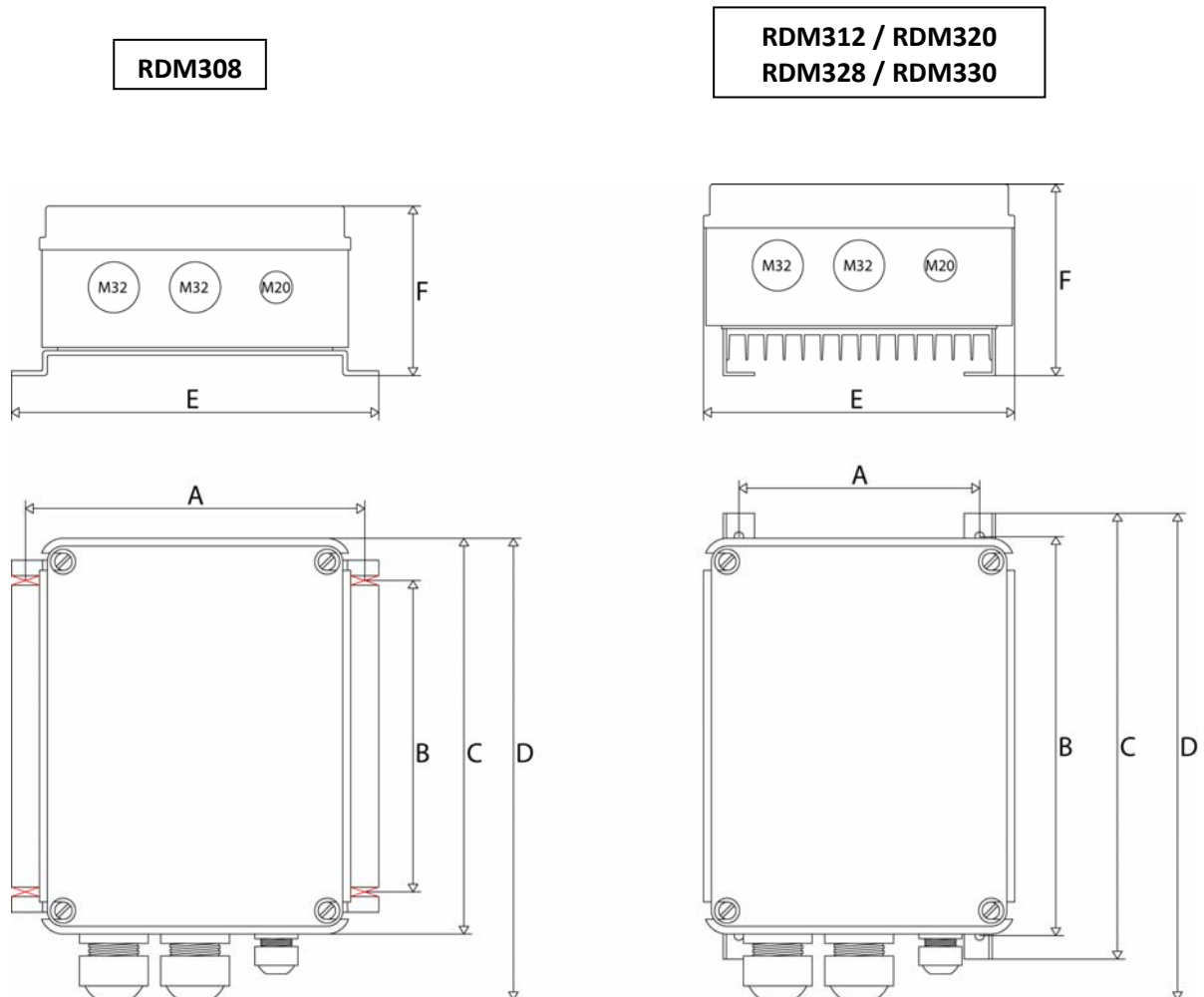
N.B.: for OUT of STANDARD, write us to sales@selpro.it

RDM300 series Mechanical Dimensions IP20 & IP55 Low-BOTTOM ("S" code)

Code	Motor/s Output	Fixing holes (mm)			Maximum dimensions (mm)				Weight (kg) **
		A	B	Ø	C	D	E	F	
RDM 308	1 / 4	217	199	6	253	295	235	113	2.5Kg
RDM 312	1 / 4	154	255		285	311	199	128	2.7Kg
RDM 320	1 / 4	174	255		285	311	199	157	3.9Kg
RDM 320	2 / 8	187	320		350	374	236	178	4.7Kg
RDM 328	2 / 8	174	320		350	374	236	200	5.6Kg
RDM 330 *	2 / 8	174	320		350	374	236	200	5.6Kg

(*) Available only for IP20

(**) Packaging included

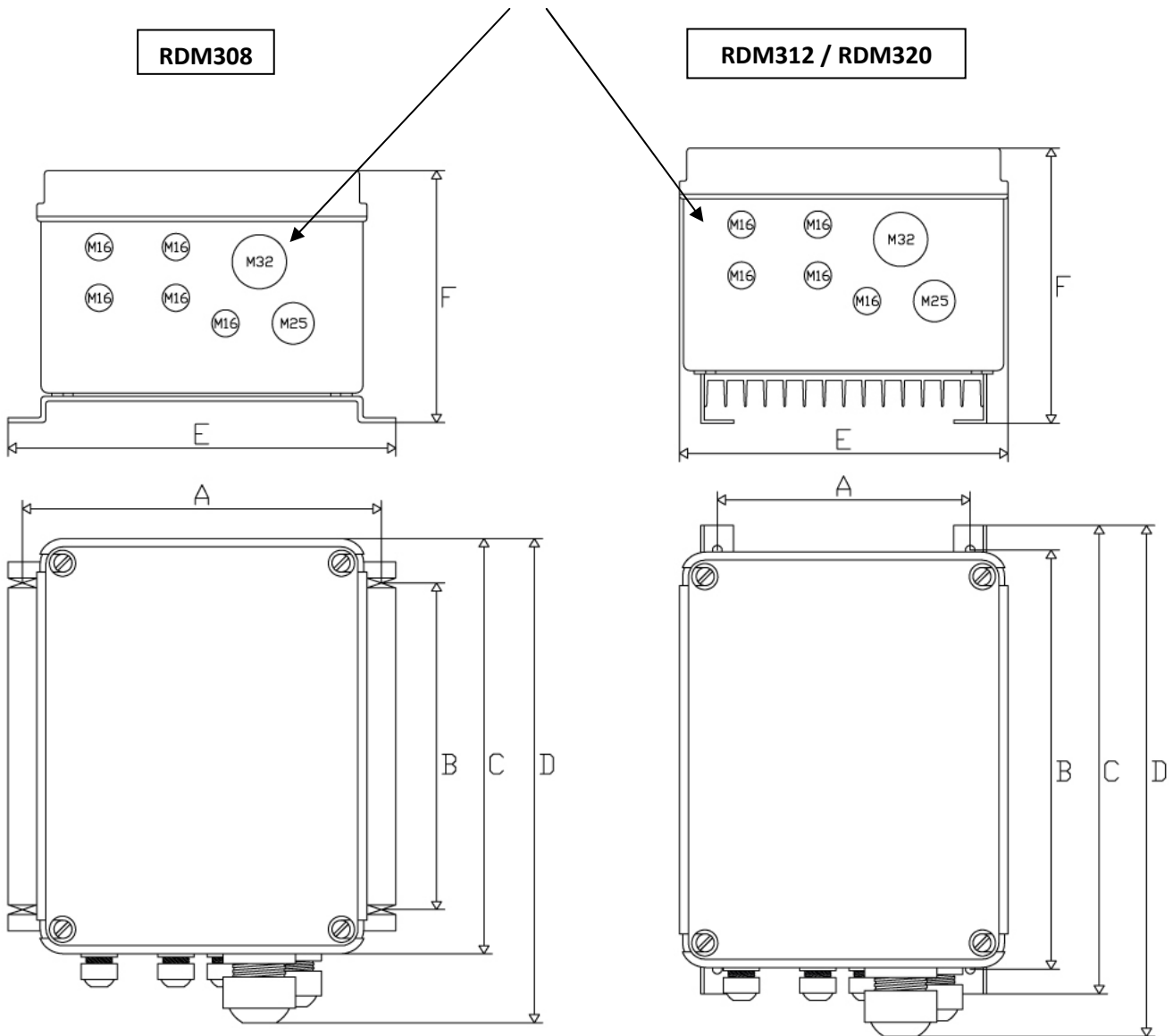


RDM300 series Mechanical Dimensions IP20 & IP55 High-BOTTOM ("A" code)

Model	Motor Output	Fixing (mm)			Maximum dimensions (mm)				Weight (kg)**
		A	B	Ø	C	D	E	F	
RDM308	1 / 4	217	199	6	253	295	235	154	2.7Kg
RDM312	1 / 4	154	255	6	285	311	199	167	2.9Kg
RDM320	1 / 4	174	255	6	285	311	199	198	4.1Kg
RDM320	2 / 8	187	320	6	350	374	237	229	4.9Kg
RDM328	2 / 8	174	320	6	350	374	237	248	5.8Kg
RDM330*	2 / 8	174	320	6	350	374	237	248	5.8Kg

(*) Available only for IP20
 (***) Packaging included

**Different Connections holes
on request**



RDM320 / RDM328 / RDM330

